





# 3D VIEW

Inner and Outer magnets are equipped with NdFeB (neodymium iron boron) or SmCo (samarium cobalt) permanent magnets.

Patented cage magnet attachment guarantees stability during the operation of the pump.

## Sealless design

Total containment, essential for hazardous, aggressive or valuable product.

Metallic Sealless Magnetic Drive Pumps suitable for service up to 140 °C (optional execution available to reach 180 °C). The ETS series is designed with a rotating metallic shaft supported by single static bushing.

## Minimal downtime / fast maintenance

The clever execution allow the end user to easy repair easily the pump in case of failure.

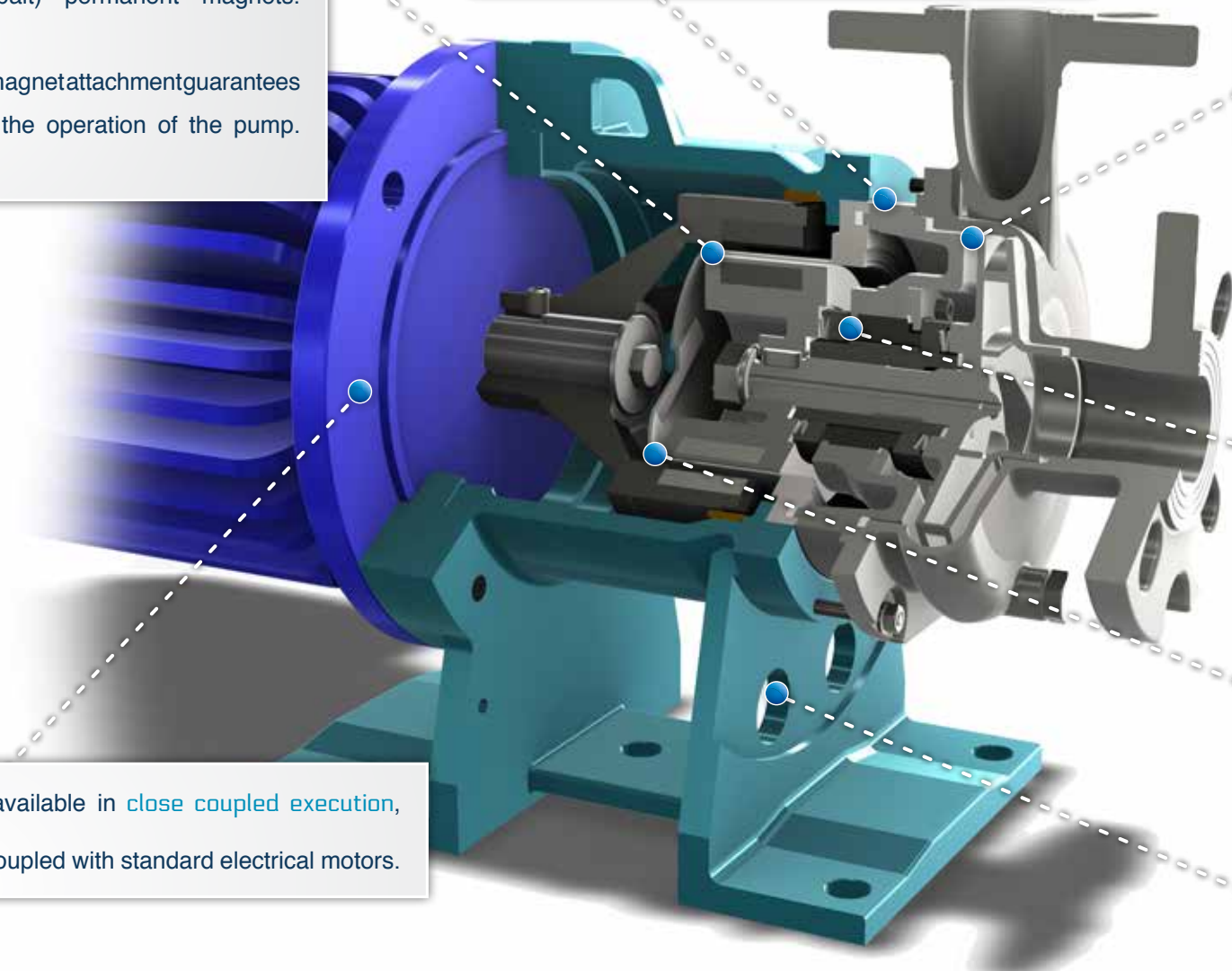
The design allows to the Isolation Shell to be self-venting.

The standard execution made by Hastelloy C276 reduces drastically the Eddy Current Losses.

The ETS are available in close coupled execution, suitable to be coupled with standard electrical motors.

## Dimensions

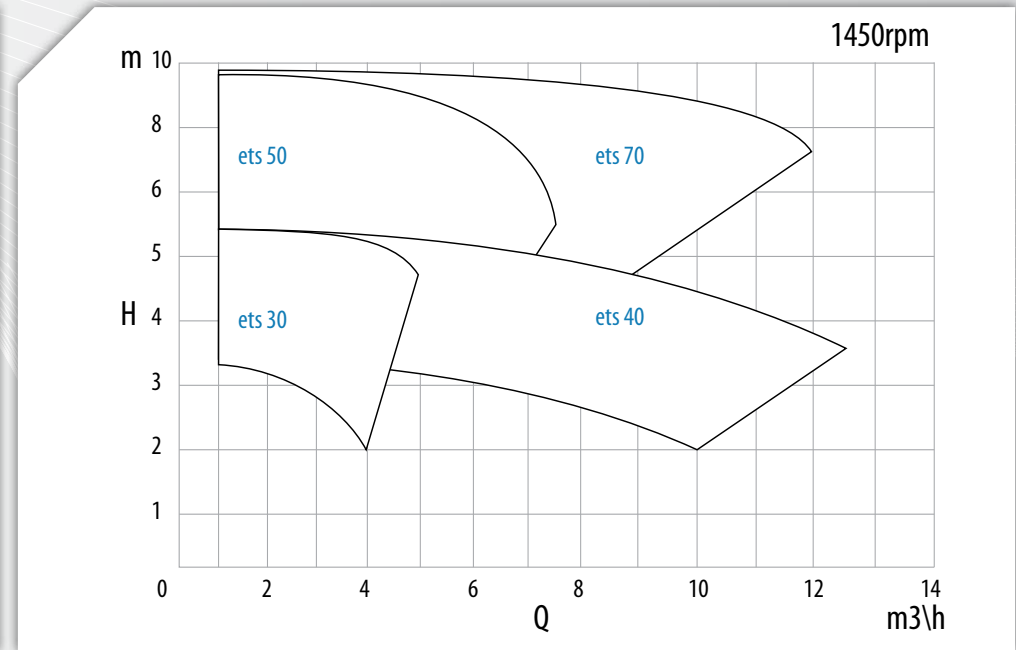
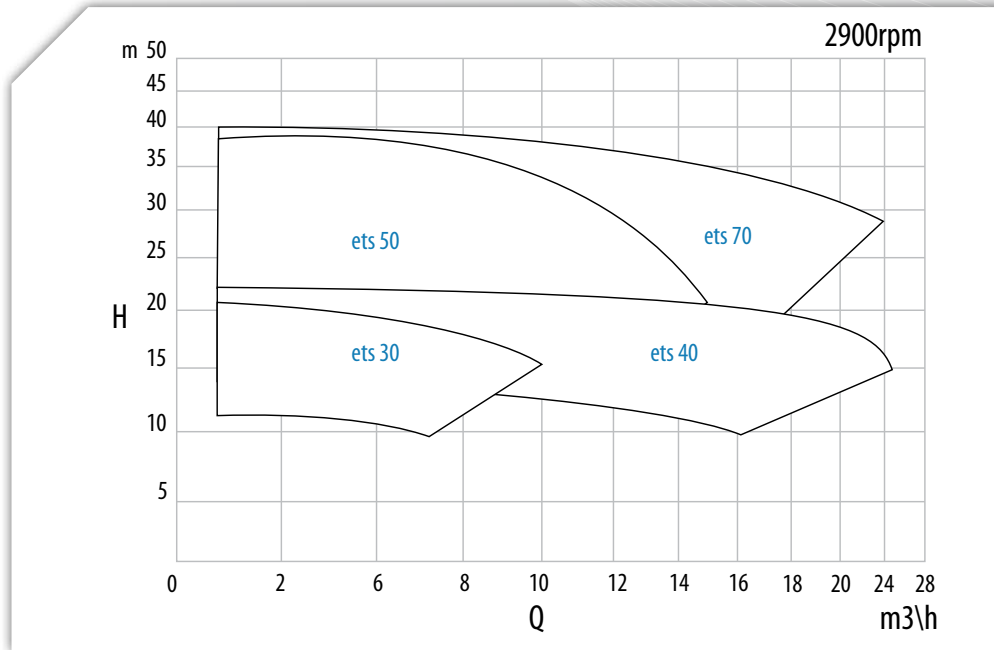
Meets ISO2858:1975, BSEN22858:1993 dimensions for flange and foot position.



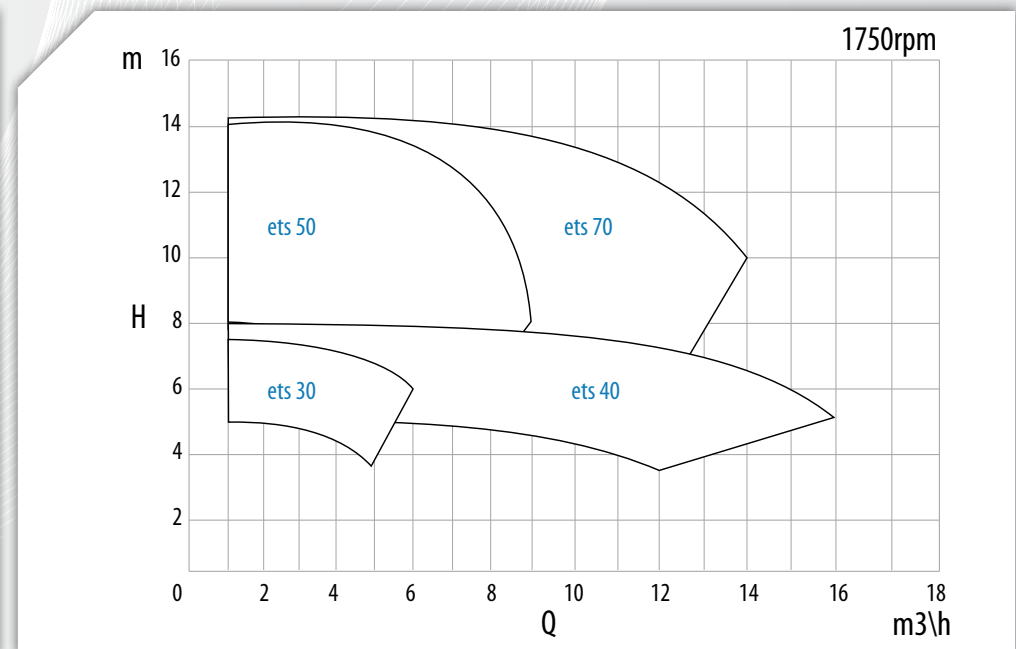
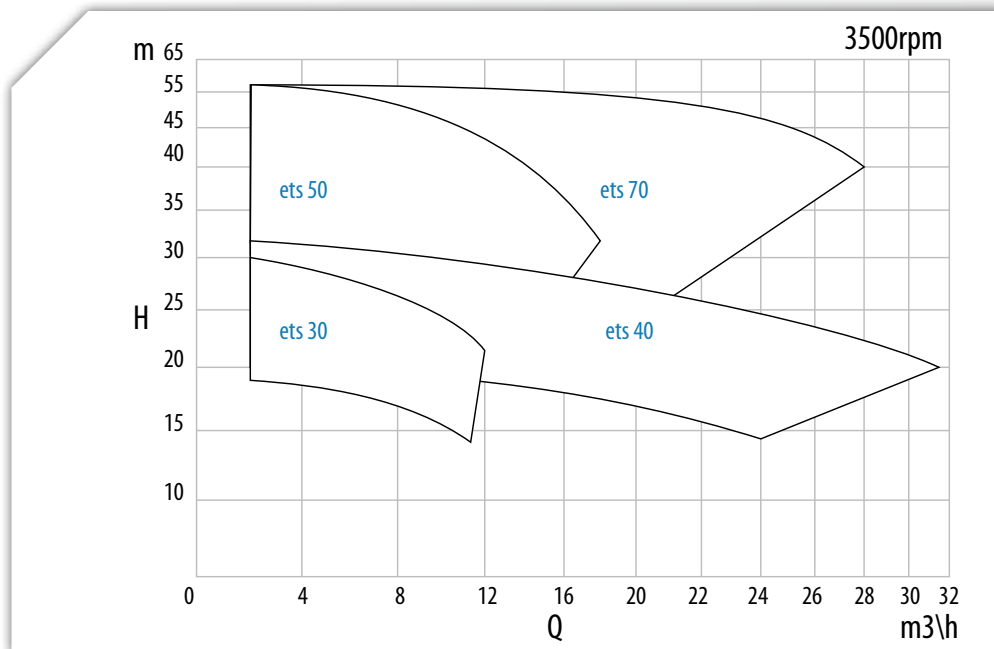


# PERFORMANCE FIELDS

50Hz



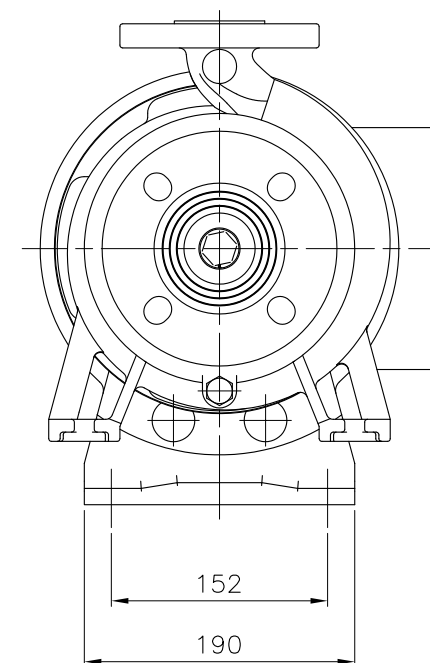
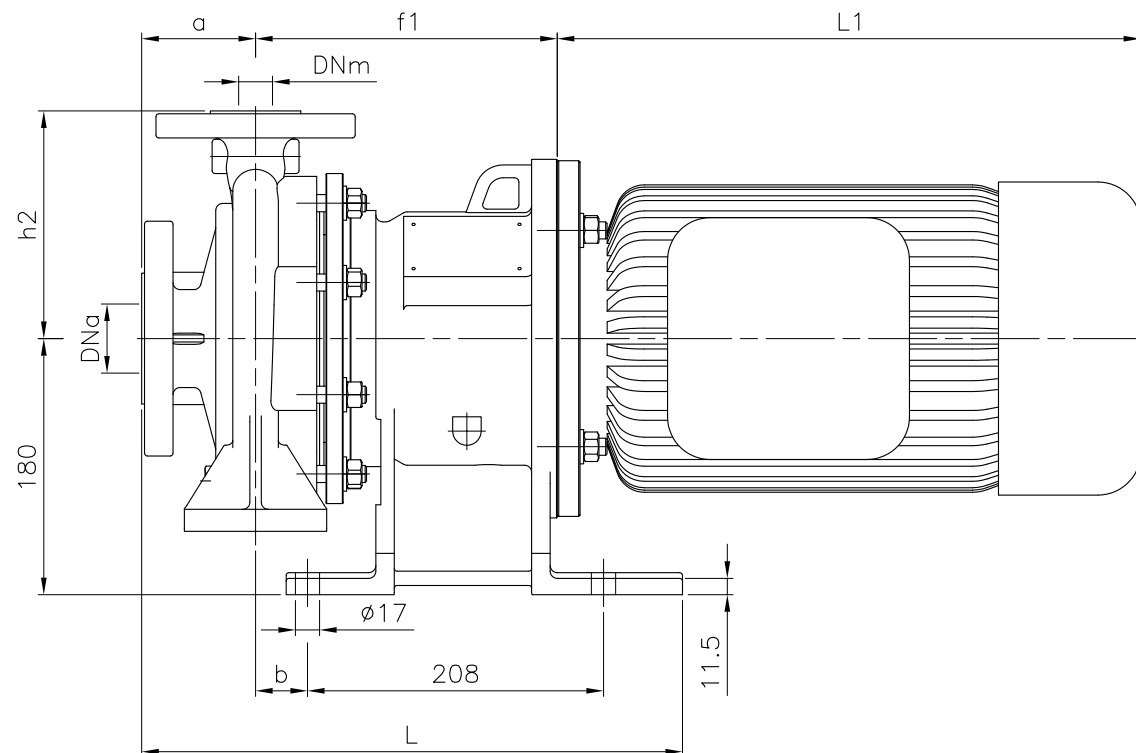
60Hz



Not binding data refers to water at room temperature. For specific performance curve contact CDR Pompe SpA.



# OVERALL DIMENSIONS



Model	DNa**	DNm**	a (mm)	b (mm)	h2 (mm)	L (mm)
ETS 30	32	25	52	20	121	335
ETS 40	40	32	78	22	146	361
ETS 50	40	25	100	36.5	165	400
ETS 70	50	32	80	36.5	160	380

\* L1 dimension is according to installed motor manufacturer

\*\* Flanges dimensions according to UNI 1092-1 ISO \ 7005-1 PN16 type B - slotted ANSI 150 RF

Model	B5 Motor Frame	f1
ETS 30	80/90	196
	100/112	212
ETS 40	80/90	198
	100/112	214
ETS 50 / ETS 70	90	212
	100/112	212
	132	230



**C.D.R. Pompe S.p.A.**

Via 56104QLR 20096ROODWH (MI) - Italy

Tel. +39029901941

Fax +39029980606


[www.cdrpompe.com](http://www.cdrpompe.com)

[info@cdrpompe.it](mailto:info@cdrpompe.it)

TB - ETS 2012.02

#### Technical Characteristics

The technical data and characteristics stated in this General Catalogue are not binding. CDR Pompe S.p.a. reserves the right to make modifications without notice. Therefore data, dimensions, performances and any other stated issues are indicative only and not binding. Anyway for any technical details you must require an up-to-date product technical card.

A collection of various industrial pumps and motors, including centrifugal pumps, submersible pumps, and specialized units, shown in different colors like teal, yellow, and blue.

For further info, please visit  
[www.cdrpompe.com](http://www.cdrpompe.com)