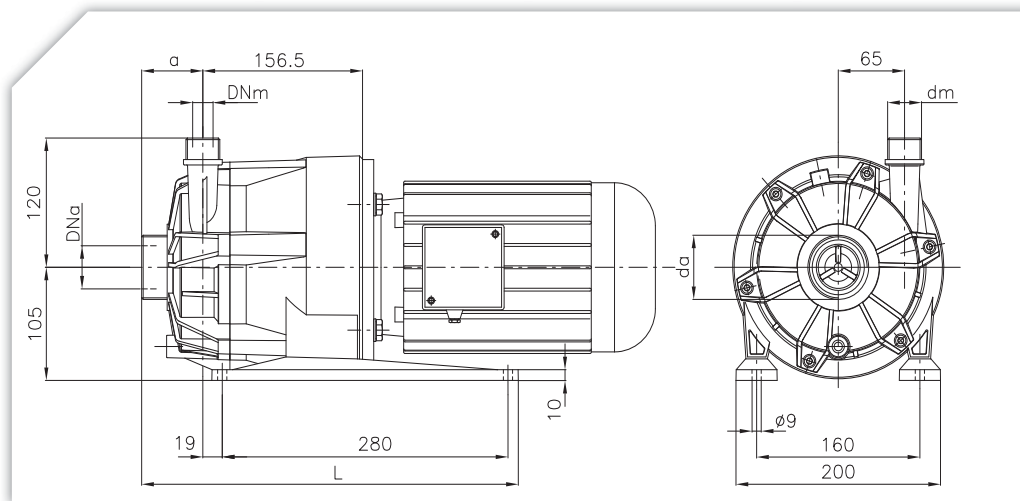
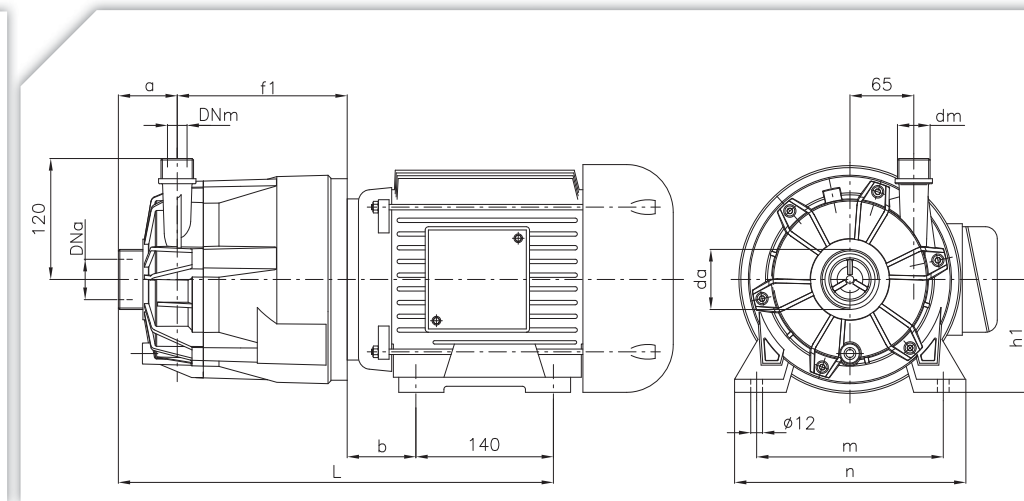


STN 30/40 BAUGRÖSSE 80/90



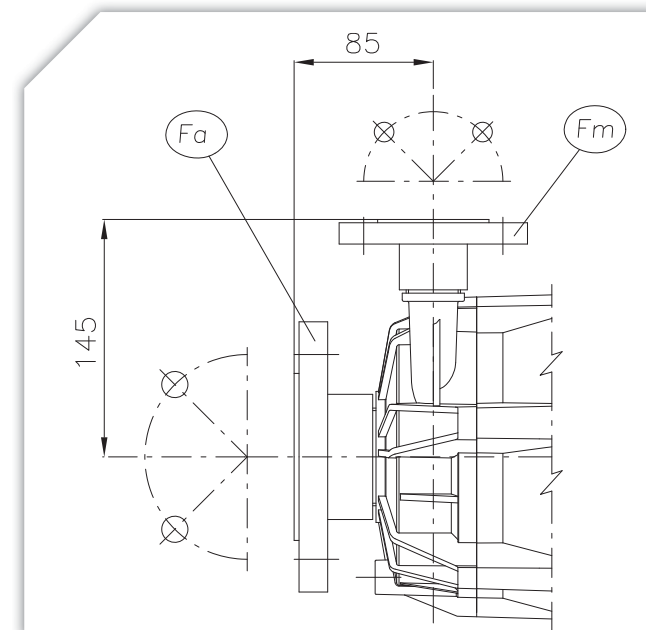
STN 30/40 BAUGRÖSSE 100/112



STN 30/40 BAUGRÖSSE 80/90

Model	DN_a	DN_m	da	dm	a (mm)	L (mm)	Motor Frame
STN 30	40	20	G 2"	G 1"	60	370	80 / 90 B5
STN 40	50	32	G 2 3/4"	G 1 1/2"	67	377	80 / 90 B5

MIT FLANSCHEN



STN 30/40 BAUGRÖSSE 100/112

Model	DN_a	DN_m	da	dm	a (mm)	b (mm)	h_1 (mm)	L (mm)	f_1 (mm)	m (mm)	n (mm)	Motor Frame
STN 30	40	20	G 2"	G 1"	60	63	100	438	173	180	200	100 B3 / B14
	40	20	G 2"	G 1"	60	70	112	443	173	190	240	112 B3 / B14
STN 40	50	32	G 2-3/4"	G 1-1/2"	67	63	100	443	173	180	200	100 B3 / B14
	50	32	G 2-3/4"	G 1-1/2"	67	70	112	450	173	190	240	112 B3 / B14