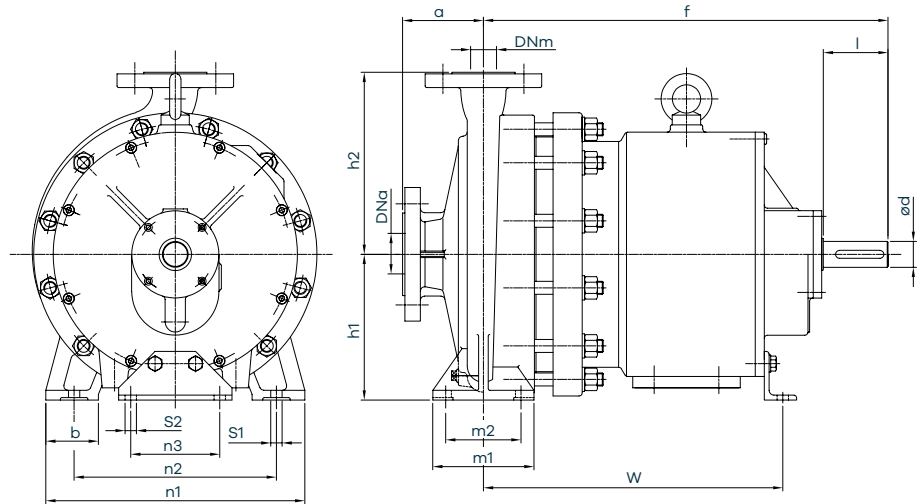


XTS

Overall dimensions



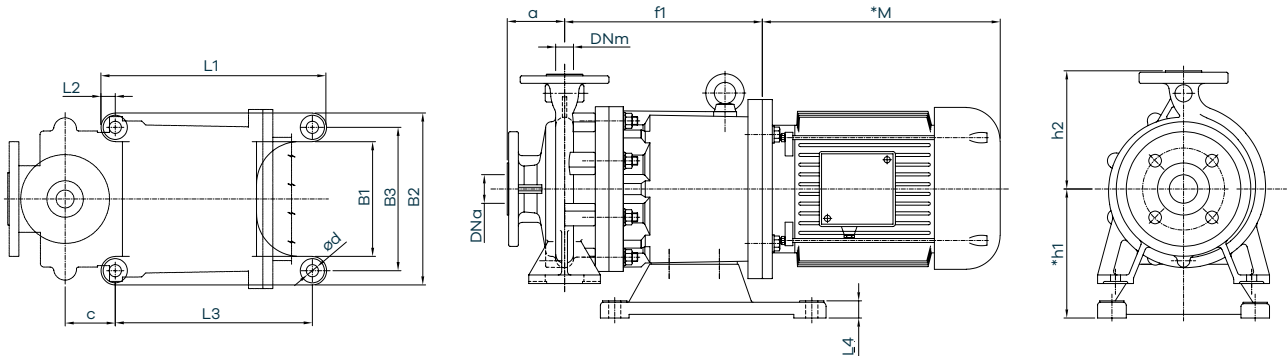
Pump dimensions

Model	XTS 50-32-160	XTS 50-32-200	XTS 80-50-160	XTS 80-50-200
DNa	50	50	80	80
	UNI EN 1092-1 PN 16RF slotted ANSI 150			
DNm	32	32	50	50
	UNI EN 1092-1 PN 16RF slotted ANSI 150			
a (mm)	80	80	100	100
b (mm)	50	50	50	50
ød (mm)	24	24	24	24
*f (mm)	385	385	385	385
h1 (mm)	132	160	160	160
h2 (mm)	160	180	180	200
l (mm)	50	50	50	50
m1 (mm)	100	100	100	100
m2 (mm)	70	70	70	70
n1 (mm)	240	240	265	265
n2 (mm)	190	190	212	212
n3 (mm)	110	110	110	110
S1 (mm)	14	14	14	14
S2 (mm)	14	14	14	14
w (mm)	285	285	285	285
Pump weight (without motor)	55	90	60	90

*f length 385 becomes 400 with contactless oil seal

XTS-B

Overall dimensions



Pump dimensions

Model	XTS-B 50-32-160	XTS-B 50-32-200	XTS-B 80-50-160	XTS-B 80-50-200
DNa	50	50	80	80
	UNI EN 1092-1 PN 16RF slotted ANSI 150			
DNm	32	32	50	50
	UNI EN 1092-1 PN 16RF slotted ANSI 150			
a (mm)	80	80	100	100
B1 (mm)	140	140	140	140
B2 (mm)	240	240	240	240
B3 (mm)	200	200	200	200
c (mm)	70	70	70	70
*h1 (mm)	180	180	180	180
h2 (mm)	160	180	180	200
L2 (mm)	20	20	20	20
Pump weight (without motor)	55	90	60	90

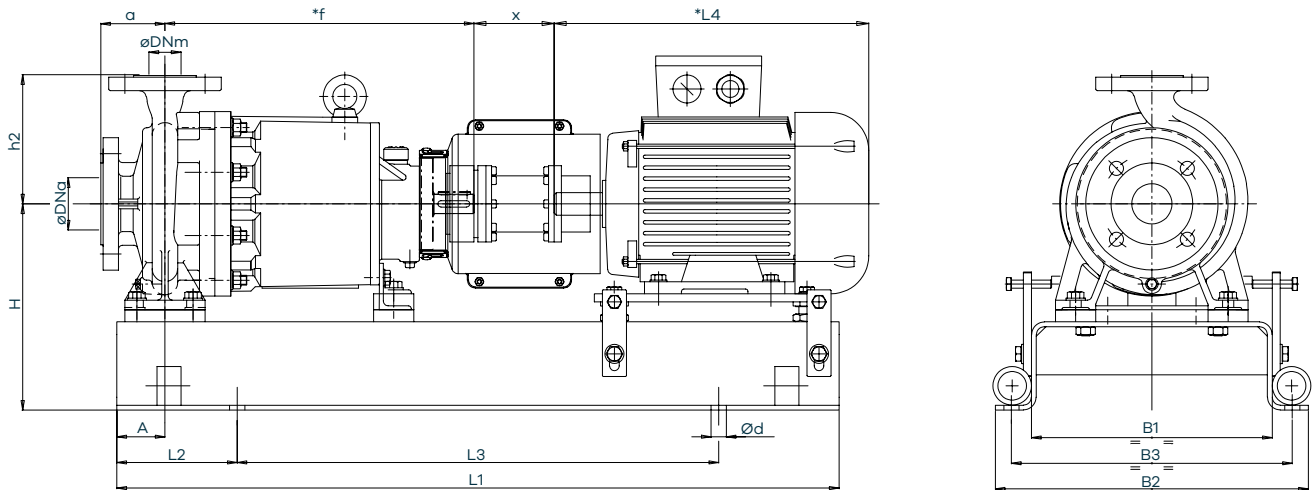
Base dimensions

Motor dimensions	Motor shape	Ød (mm)	L1 (mm)	L3 (mm)	L4 (mm)	f1 (mm)
80-90	B14	17	315	275	24	266
100-112	B5	17	315	275	24	276
132	B5	17	315	275	24	287
160	B5	17	600	560	12	330

*The M dimension depends on the motor installed
 *h1: if h1 = 180, with motor size 160 it becomes h1 = 190

XTS

Overall dimensions



Pump dimensions

Model	XTS 50-32-160	XTS 50-32-200	XTS 80-50-160	XTS 80-50-200
DNa	50	50	80	80
	UNI EN 1092-1 PN 16RF slotted ANSI 150			
DNm	32	32	50	50
	UNI EN 1092-1 PN 16RF slotted ANSI 150			
a (mm)	80	80	100	100
A (mm)	60	60	60	60
*f (mm)	385	385	385	385
h2 (mm)	160	180	180	200
x (mm)	100	100	100	100
H - motor dimensions	80 (mm)	257	285	285
	90 (mm)	257	285	285
	100 (mm)	257	285	285
	112 (mm)	257	285	285
	132 (mm)	272	300	300
H - 160 (mm)	272	300	300	300
Pump weight (without motor)	55	90	60	90

Base dimensions

Motor dimensions	B1 (mm)	B2 (mm)	B3 (mm)	ød (mm)	L1 (mm)	L2 (mm)	L3 (mm)	Base weight (without motor)
80-90-100-112	300	390	350	M16	900	150	600	45
132	340	450	400	M20	1000	170	660	58
160	380	490	440	M20	1120	190	740	90

*The L4 dimension depends on the motor installed
 *f length 385 becomes 400 with contactless oil seal