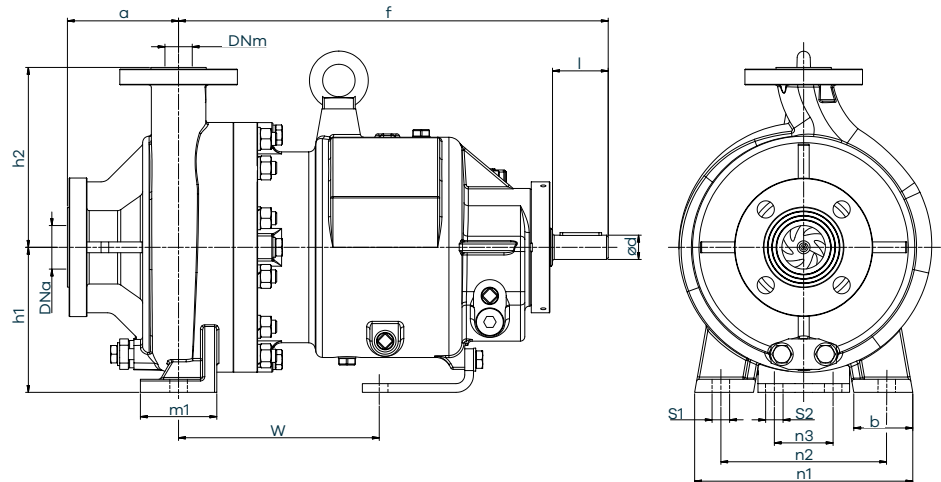


DTN-L ASME bare shaft

Overall Dimensions

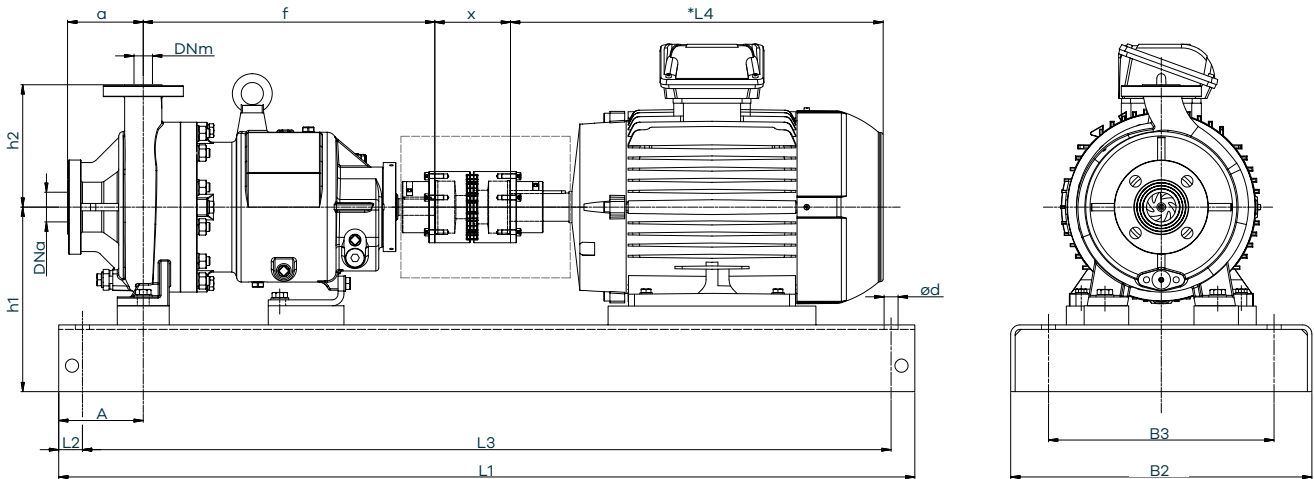


Pump dimensions:

Model	DTN-BL 1.5x1x6 - AA	DTN-BL 3x1.5x6 - AB	DTN-BL 3x2x6 - AC	DTN-BL 1.5x1x8 - AA	DTN-BL 3x1.5x8 - A50	DTN-BL 3x2x8 - A60
DNa	1.5	3	3	1.5	3	3
ASME B16.5 Class 150						
DNm	1	1.5	2	1	1.5	2
ASME B16.5 Class 150						
a In (mm)	4.00 (102)	4.00 (102)	4.00 (102)	4.00 (102)	4.00 (102)	4.00 (102)
b In (mm)	2.16 (55)	2.16 (55)	2.16 (55)	2.16 (55)	2.16 (55)	2.16 (55)
Ød In (mm)	0.875 (22,23)	0.875 (22,23)	0.875 (22,23)	0.875 (22,23)	1.125 (28,58)	1.125 (28,58)
f In (mm)	15.5 (394)	15.5 (394)	15.5 (394)	15.5 (394)	19.5 (495)	19.5 (495)
h1 In (mm)	5.25 (133)	5.25 (133)	5.25 (133)	5.25 (133)	8.25 (210)	8.25 (210)
h2 In (mm)	6.50 (165)	6.50 (165)	6.50 (165)	6.50 (165)	8.50 (216)	9.50 (242)
l In (mm)	2.00 (51)	2.00 (51)	2.00 (51)	2.00 (51)	3.15 (80)	3.15 (80)
m1 In (mm)	2.75 (70)	2.75 (70)	2.75 (70)	2.75 (70)	2.75 (70)	2.75 (70)
n1 In (mm)	7.87 (200)	7.87 (200)	8.15 (207)	7.95 (202)	11.93 (303)	11.93 (303)
n2 In (mm)	6.00 (152)	6.00 (152)	6.00 (152)	6.00 (152)	9.75 (248)	9.75 (248)
n3 In (mm)	x	x	x	x	7.25 (184)	7.25 (184)
S1 In (mm)	0.625 (16)	0.625 (16)	0.625 (16)	0.625 (16)	0.625 (16)	0.625 (16)
S2 In (mm)	0.625 (16)	0.625 (16)	0.625 (16)	0.625 (16)	0.625 (16)	0.625 (16)
W In (mm)	7.25 (184)	7.25 (184)	7.25 (184)	7.25 (184)	12.5 (318)	12.5 (318)
Weight lb (kg)	123 (56)	132 (60)	134 (61)	139 (63)	198 (90)	205 (93)

DTN-L ASME on baseplate

Overall Dimensions



Pump dimensions:

Model	DTN-BL 1.5x1x6 - AA	DTN-BL 3x1.5x6 - AB	DTN-BL 3x2x6 - AC	DTN-BL 1.5x1x8 - AA	DTN-BL 3x1.5x8 - A50	DTN-BL 3x2x8 - A60
DNa	1.5	3	3	1.5	3	3
ASME B16.5 Class 150						
DNm	1	1.5	2	1	1.5	2
ASME B16.5 Class 150						
a In (mm)	4.00 (102)	4.00 (102)	4.00 (102)	4.00 (102)	4.00 (102)	4.00 (102)
A In (mm)	4.50 (114)	4.50 (114)	4.50 (114)	4.50 (114)	4.50 (114)	4.50 (114)
f In (mm)	15.5 (394)	15.5 (394)	15.5 (394)	15.5 (394)	19.5 (495)	19.5 (495)
h2 In (mm)	6.50 (165)	6.50 (165)	6.50 (165)	6.50 (165)	8.50 (216)	9.50 (242)
x In (mm)	4.00 (100)	4.00 (100)	4.00 (100)	4.00 (100)	4.00 (100)	4.00 (100)
H. mot. 143÷145	8.25 (209)	8.25 (209)	8.25 (209)	8.25 (209)	x	x
H. mot. 182÷184	8.25 (209)	8.25 (209)	8.25 (209)	8.25 (209)	11.25 (286)	11.25 (286)
H. mot. 213÷256	9.75 (248)	9.75 (248)	9.75 (248)	9.75 (248)	11.75 (299)	11.75 (299)
H. mot. 284÷286	x	x	11.35 (288)	11.35 (288)	12.60 (320)	12.60 (320)
Weight lb (kg) (w/o baseplate and motor)	123 (56)	132 (60)	134 (61)	139 (63)	198 (90)	205 (93)

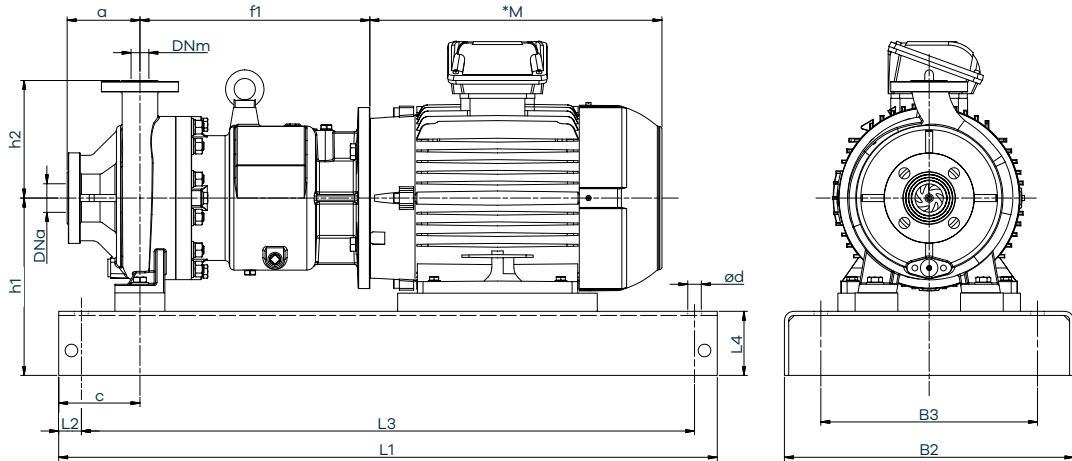
Baseplate dimensions:

Motor Size	B2 In (mm)	B3 In (mm)	L1 In (mm)	L2 In (mm)	L3 In (mm)	ød In (mm)	Baseplate Weight w/o motor lb (kg)
143 ÷ 145	13.00 (330)	9.00 (228)	39.00 (991)	1.25 (32)	36.50 (927)	0.75 (19)	77 (35)
182 ÷ 184	13.00 (330)	9.00 (228)	50.00 (1270)	1.25 (32)	47.5 (1206)	0.75 (19)	106 (48)
213 ÷ 256	16.00 (406)	12.00 (304)	57.00 (1448)	1.25 (32)	54.5 (1384)	0.75 (19)	159 (72)
284 ÷ 286	19.00 (482)	15.00 (382)	63.00 (1600)	1.25 (32)	60.5 (1536)	1.00 (25)	205 (93)

*L4 dimension is according to installed motor manufacturer.

DTN-BL ASME

Overall Dimensions



Pump dimensions:

Model	DTN-BL 1.5x1x6 - AA	DTN-BL 3x1.5x6 - AB	DTN-BL 3x2x6 - AC	DTN-BL 1.5x1x8 - AA	DTN-BL 3x1.5x8 - A50	DTN-BL 3x2x8 - A60
DNa	1.5	3	3	1.5	3	3
ASME B16.5 Class 150						
DNm	1	1.5	2	1	1.5	2
ASME B16.5 Class 150						
a In (mm)	4.00 (102)	4.00 (102)	4.00 (102)	4.00 (102)	4.00 (102)	4.00 (102)
c In (mm)	4.50 (114)	4.50 (114)	4.50 (114)	4.50 (114)	4.50 (114)	4.50 (114)
h2 In (mm)	6.50 (165)	6.50 (165)	6.50 (165)	6.50 (165)	8.50 (216)	9.50 (242)
h1 mot. 143+145	8.25 (209)	8.25 (209)	8.25 (209)	8.25 (209)	x	x
h1 mot. 182+184	8.25 (209)	8.25 (209)	8.25 (209)	8.25 (209)	11.25 (286)	11.25 (286)
h1 mot. 213+256	9.75 (248)	9.75 (248)	9.75 (248)	9.75 (248)	11.75 (299)	11.75 (299)
h1 mot. 284+286	x	x	11.35 (288)	11.35 (288)	12.60 (320)	12.60 (320)
h2 mot. 143+145	11.25 (286)	11.25 (286)	11.25 (286)	11.25 (286)	x	x
h2 mot. 182+184	12.75 (322)	12.75 (322)	12.75 (322)	12.75 (322)	13.50 (343)	13.50 (343)
h2 mot. 213+256	12.75 (322)	12.75 (322)	12.75 (322)	12.75 (322)	13.50 (343)	13.50 (343)
h2 mot. 284+286	x	x	13.30 (338)	13.30 (338)	14.10 (358)	14.10 (358)
Weight lb (kg) (w/o baseplate and motor)	110 (50)	119 (54)	143 (65)	148 (67)	185 (84)	192 (87)

Baseplate dimensions:

Motor Size	B2 In (mm)	B3 In (mm)	L1 In (mm)	L2 In (mm)	L3 In (mm)	L4 In (mm)	Ød In (mm)	Baseplate Weight w/o motor lb (kg)
143 ÷ 145	13.00 (330)	9.00 (228)	32.00 (813)	1.25 (32)	29.50 (749)	3.00 (76)	0.75 (19)	55 (25)
182 ÷ 184	13.00 (330)	9.00 (228)	32.00 (813)	1.25 (32)	29.50 (749)	3.00 (76)	0.75 (19)	57 (26)
213 ÷ 256	16.00 (406)	12.00 (304)	41.00 (1041)	1.25 (32)	38.50 (977)	3.50 (90)	0.75 (19)	97 (44)
284 ÷ 286	19.00 (482)	15.00 (382)	46.00 (1168)	1.25 (32)	43.50 (1104)	4.34 (110)	1.00 (25)	132 (60)

*M dimension is according to installed motor manufacturer.